



Safety Advice Sheet

READ BEFORE YOU

BEGIN:

- Please read and understand the instructions prior to assembly. Incorrect installation of this product could possibly result in personal injury or physical damage.
- WallBeds Australia recommends that eye protection is worn when assembling the product.
- WallBeds Australia recommends two people to safely assemble and install all cabinetry.
- If installing a wall bed, the wall bed **MUST** be securely fastened to the wall with the correct fixings for your individual situation. Failure to do so may cause the bed to come away from the wall or tip over which may cause damage to the cabinet or serious personal injury.
- Whilst these products are DIY it is recommended the wall bed be installed by a qualified trades person if you are not comfortable with the installation of this product.
- It is the consumers personal responsibility to ensure all persons are trained or shown how to operate the wall bed safely prior to use. Failure to do so may result in injury or damage to person or product.

WallBeds Australia is not responsible for any damages or injuries incurred by incorrect installation or incorrect use of this product



Alpha Bed Cabinetry Flat Pack Assembly Instructions

Universal Alpha Bed bed frame which can be mounted in either vertical or horizontally.

A lightweight universal structural steel bed frame with double overlap steel stiffeners completed with a fold-away leg system. The frame is designed to exceed the strength of wood or aluminum. The

Alpha frame may be used in residential and commercial applications.

Designed to Exceed International ISO 9002
Standards for residential specifications

SAFETY WARNING

WallBeds are designed to be operated by adults. Use by children may result in injuries to the child or damage to the wall bed if they are unable to control the opening or closing of the mechanism adequately. Warranties do not cover injuries or damage under these circumstances.

Whilst wall beds meet Australian Standards adult use and supervision of WallBeds is required at all times.

© 2010 Murphy WallBed Systems Inc.

Alpha Bed Project Start-Up

Familiarise yourself with all of the components in the Alpha Bed Frame and mechanism cartons, as well as thoroughly study this manual and any other supplementary instructions, so you may plan the steps required to complete this project.

Study all illustrations and plan drawings. Make sure that the space available is adequate for the specified dimensions of the bed cabinet; both in the open and closed positions.

Steps to Complete Project

1. Carefully unpack all cabinetry from the transportation crate.
2. Prepare all cabinet components by inserting either Cam Locks or Cam Pins.
3. Install springs in Lift Mechanisms as per spring application chart.
4. Attach the Spring Lift Mechanism to 2 x bed side panels.
5. Assemble the Bed Cabinet.
6. Attach head board.
7. Attach Bed Cabinet to wall.
8. Assemble Steel Bed Frame to Face / Base Panels.
9. Install the Face / Base Panel in Cabinet.
10. Install Handles, Leg Assembly, Mechanism Covers, Mattress

Hint - Do not remove any parts identification stickers from the cabinetry panels until the units have been built, as these will assist with assembly. Generally these stickers are placed on the "back" or side of the cabinet that will not be seen once assembled.

To remove the stickers - carefully heat up with a hair dryer, to remove any sticky residue use Wax and Grease Remover. Avoid using razor blades as you may damage the cabinetry.

You Tube tutorials are available from *Murphy Bed wall bed systems for the spring and frame assembly. Any cabinetry shown in these clips DO NOT relate to WallBeds Australia Cabinetry assembly. These clips are a visual guide on how to assemble and install the spring lift and steel frame component of the wall bed which is universal world wide.

* Search – *murphybedshardware or murphybedusa on You Tube*

Carton Contents for Alpha Bed

Note: Each Frame Carton contains one Single, Double, Queen or King Steel Bed Frame complete with leg assembly and necessary hardware. Mechanism components are in separate carton.

Qty.	Frame Carton Items	Comments	✓
2	Frame End Sections	Identical Head & Foot	<input type="checkbox"/>
2	Frame Side Sections	Identical, Right or Left	<input type="checkbox"/>
3(5)	Stiffeners - Bed Face (King Size)	Space evenly between Frame Sides	<input type="checkbox"/>
2	Fold-away Legs	One Left - One Right	<input type="checkbox"/>
1	Leg Connector Rod	Stabilizes and Eases Leg Operation	<input type="checkbox"/>
Hardware Card #3			
14	Bolt 10-24x1/2" (M6x12mm) Black	Bolt Frame corners	<input type="checkbox"/>
2	Bolt 10-24x1 1/4" (M6 x 32mm) Black	Bolt Leg Stop Foot corners	<input type="checkbox"/>
16	Nut 10-24 (M6) Black Nylock	Use with #1214 & #1213	<input type="checkbox"/>
4	Angle 1"x1"x1 3/4" (25x25x44mm) Black	Use inside Frame corners	<input type="checkbox"/>
2	1/2"x3/4" (13x19mm) Round Black Cylinder	Use with #1213 as Leg Stop	<input type="checkbox"/>
Hardware Card #4			
2	1 1/2"x5/16" (T1.5x40mm) Black Washer	Secure Leg inside Frame	<input type="checkbox"/>
2	1 1/2"x.765" (T2.5x40mm) Black Washer	Secure Leg inside Frame	<input type="checkbox"/>
2	1 1/2"x.765" (T2.5x40mm) Black Nylon Washer	Between Leg & outside of Frame	<input type="checkbox"/>
2	Nut 5/16" (M8) Black Nylock	Secure Leg inside Frame	<input type="checkbox"/>
2	Bolt 1/4"-20 Black Hex Head	Attach Leg to Leg Rod	<input type="checkbox"/>
2	Star Washer for #1210	Attach Leg to Leg Rod	<input type="checkbox"/>
Hardware Card #5			
1	Nylon Web Strap with Buckle	Secure Mattress to Bed Frame	<input type="checkbox"/>
2	3/4"x1/4" (T1.5x25mm) Washer	Secure Nylon Web Strap to Bed Face Panel under Mattress	<input type="checkbox"/>
2	#8x5/8" (M4x15mm) Wood Screw	Secure Nylon Web Strap	<input type="checkbox"/>
Hardware Card #7 - SEE ATTACHING FACE/BASE INSTRUCTIONS			
110	#8x5/8" (M4x15mm) Wood Screw	Attach Steel Bed Frame to Bed Face	<input type="checkbox"/>

Qty.	Mechanism Carton Items	Comments	
1	Lift Mechanism - Right Side	Attach to Right Side Panel	<input type="checkbox"/>
1	Lift Mechanism - Left Side	Attach to Left Side Panel	<input type="checkbox"/>
2	#1 Bags containing 9 Springs each	Install correct number in each Mechanism	<input type="checkbox"/>
1	13" Plastic Pipe	Used to set the Lift Mechanisms	<input type="checkbox"/>
Hardware Card #2 - SEE ASSEMBLING CABINET INSTRUCTIONS			
10	Cone Allen Bolts 5/16-18 x 1 1/4"	To attach Lift Mechanisms to Side Panels	<input type="checkbox"/>
4	Hex Head Bolt 5/16-18 x 1"	Attach Mechanism to Frame Side section	<input type="checkbox"/>
2	Round Allen Head Bolt 5/16-18 x	Position Mechanism Arm on Frame Side	<input type="checkbox"/>
16	1" Hex Head Nylock Nut	section Secure Bolts and Screws	<input type="checkbox"/>
1	Allen Wrench 5/16"	For Allen Head bolts	<input type="checkbox"/>

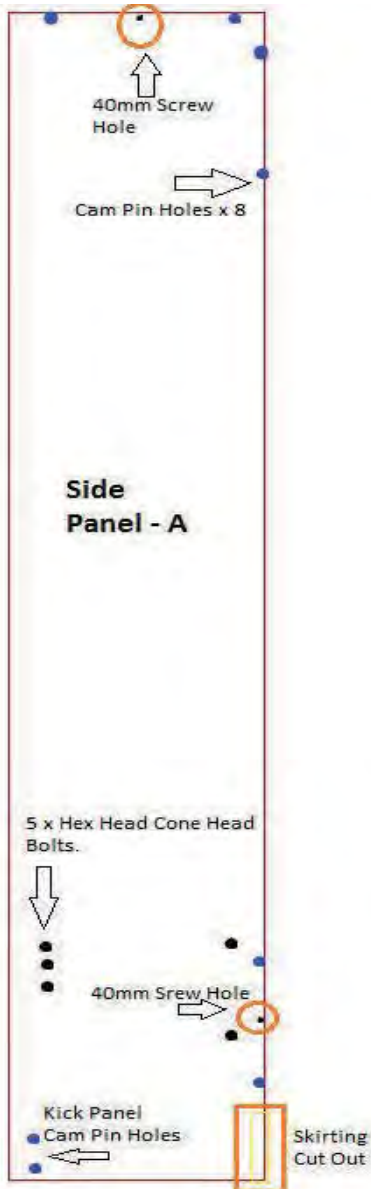
WallBeds Australia Hardware and Panel List

Hardware Parts

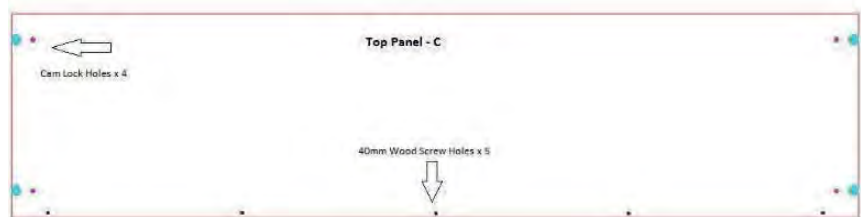


Cabinetry Parts

2 x Side Panel - A



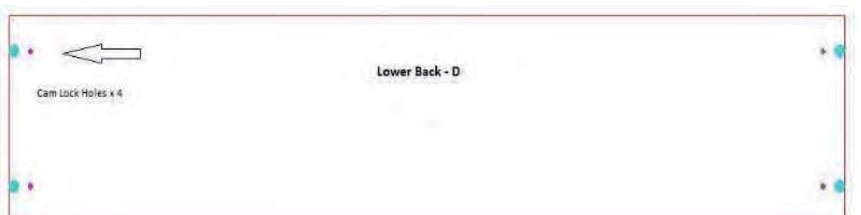
Top - C



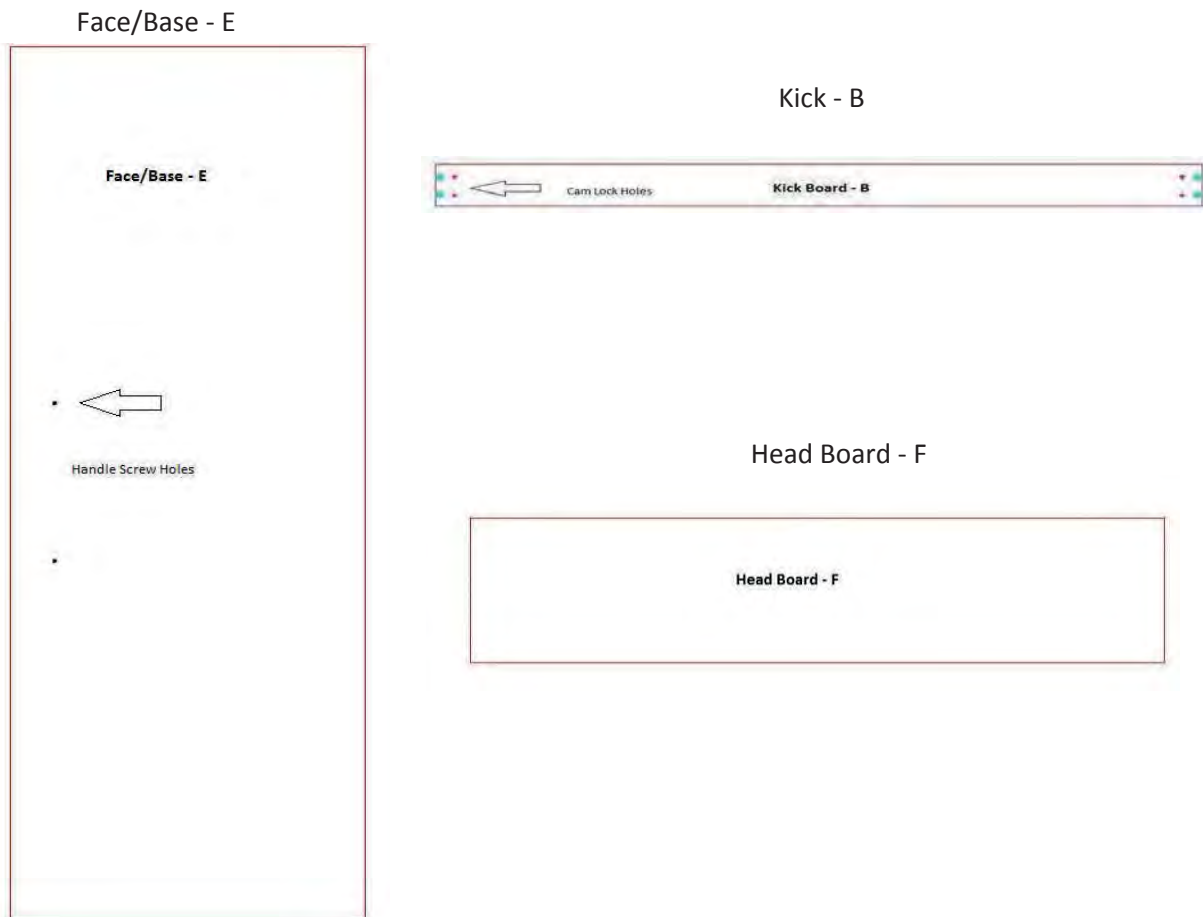
Top Back - D



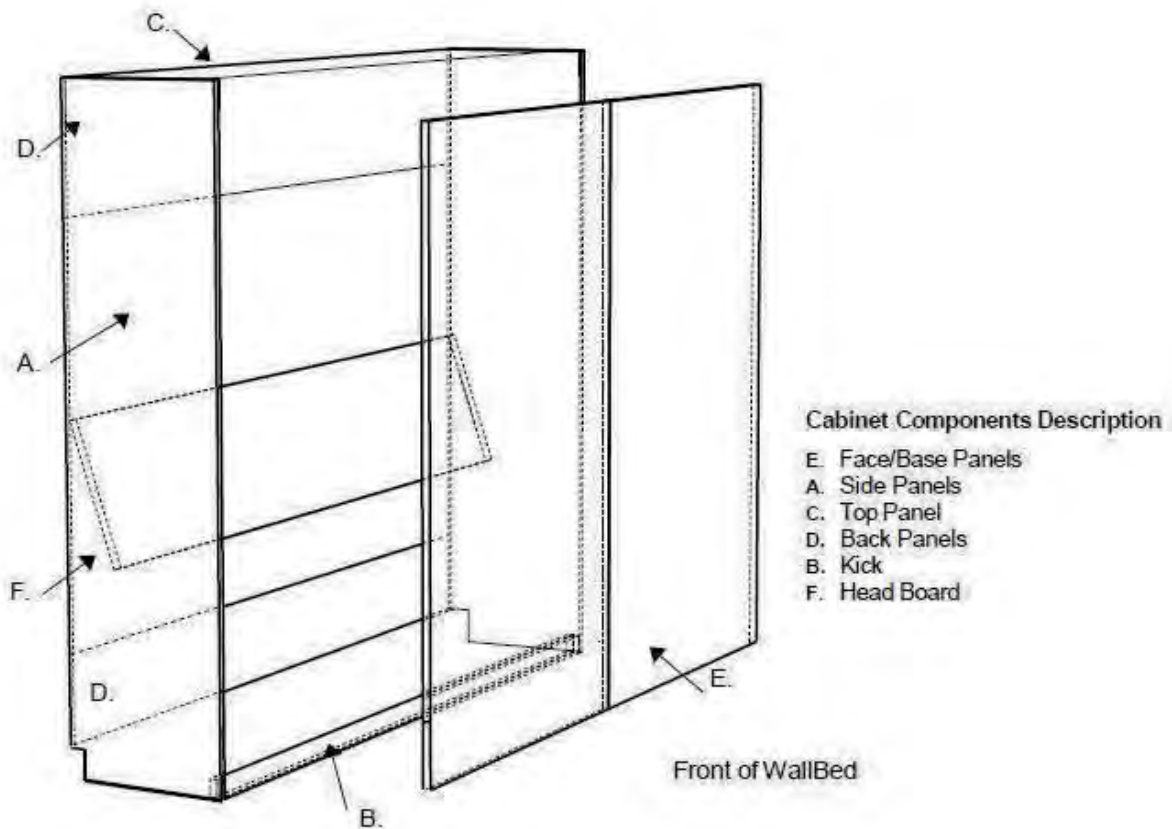
Lower Back - D



WallBeds Australia Hardware and Panel List



Alpha Cabinet Overview - Vertical Image Displayed



Spring Application Chart

BED SIZE	BED PANEL MATERIAL	
	Plywood Core	Particle Board
Single	5 springs per side	4-5 springs per side
Double	6 springs per side	5-6 springs per side
Queen	7 springs per side	6-7 springs per side
King	8- 9 springs per side	8-9 springs per side

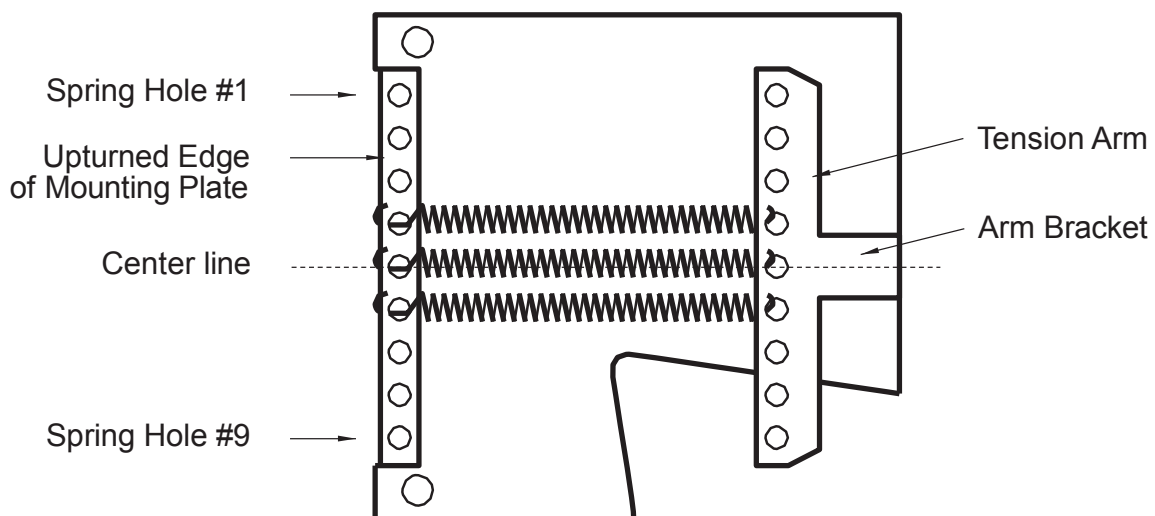
After you have completed installing and checking the operation of your bed, you may find it necessary to add or remove springs to achieve the correct lift effort of between 10 kg to 15 kg.

Please note: Studio Desk - An additional spring per side may be required.
Horizontal Bed - One less spring per side may be required

There are nine locations for springs. If the bed requires an even number of springs, do not use the center hole (#5 from the top). If the bed requires an odd number of springs, start with the center hole (#5 from the top) and work outward in both directions evenly.

Hook the springs so the open ends are facing outward. You may have to pry up the tension arm and slide the spring under and snap them into place in the proper hole, matching the same numbered hole from the top of the mechanism back plate. You should have an equal number of springs on each side of the center hole.

Use the same number of springs and the same layout on both the left and right mechanisms.



Drawing 1

Assembling the Wall Bed Cabinet

For easier final wall mount you should assemble bed cabinet in the room where it will be used.

Step 1

1. Fit the springs to both spring lift mechanisms as per *Drawing 1*
2. Attach the Spring Lift Mechanisms to the Side Panels (A). **Use 3 of the 25mm Cone Allen Head bolts supplied in supplementary hardware bag in the front 3 counter sunk holes in the side panels. Failure to do this will result in the Tension Arm hitting the bolt and not working correctly.** Tighten with the nylock nuts (16) supplied in hardware card #2.
3. Using 2 each of the original packaged 30mm Cone Head bolts (10) in hardware card #2 for the rear counter sunk holes also tighten with nylon nuts (16) Repeat for both sides.

Step 2

1. Locate & insert all Cam locks and Cam pins into the pre-drilled locations on all of the cabinet panels - See *cabinetry parts page 3*

Step 3

1. With the edge tape facing to the ground attach the 2 x Side Panels - **A** - to the Top Panel - **C** - by placing the Cam Locks over the cam pins & then tighten the Cam locks by turning the phillip's head screw inside the lock. ***It is recommended you use a hand screwdriver for this, not a power tool.***
2. Ensure the Top Panel - **C** - has the Cam Locks facing upwards (or the edge tape to the ground). This will ensure the cam locks are not visible when the unit is standing upright.
3. Attach the 2 Back panels - **D** - with the Cam Locks facing towards the back (or what will be the wall when the cabinet is stood upright). Then tighten with a Phillip's head screw driver
4. Attach the Kick panel - **B** - with the Cam Locks facing into the wall bed. Then tighten with a Phillip's head screw driver.
5. End Panel -**A**- Screw the 40mm screws thru the holes without cam pins into to the Back - **D** - panel. See *End Panel - A- on cabinetry page*
6. Ensure the back edges of the Top panel - **C** - and Top Back - **D** - are aligned and then screw in the 40mm wood screws into the pre-drilled holes. *Refer cabinetry parts page*

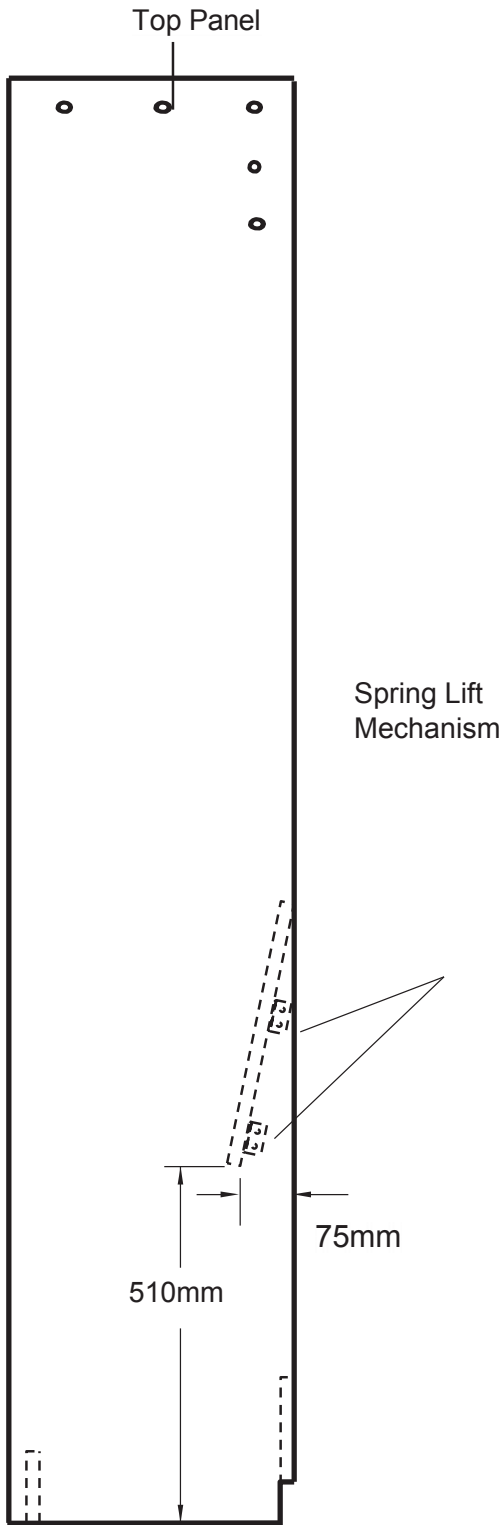
It is recommended that all of the 40mm screws are fixed prior to standing the cabinet upright. This will increase the overall strength of the cabinet and reduce the risk of the Cam Pins breaking away from the Cam Locks.

Installing the Wall Bed Head Board -F -

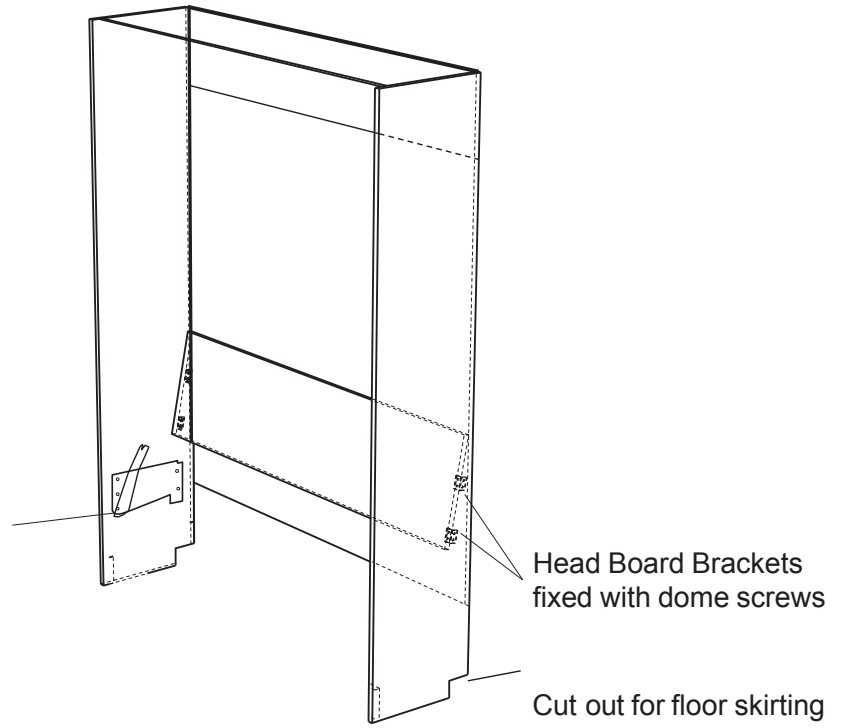
It is recommended that the head board be attached prior to fixing the wall bed to the wall and installing the Face/Base panel. The measurements given are based on a mattress no thicker than 27cm. There are no pre-drilled holes on the Side panels or the head board for this step as the position will vary depending on the mattress thickness.

1. Measure the head board mounting position as per *Drawing 1* using a pencil mark the location of the head board.
2. With the assistance of a helper place the head board as per the measurement markings on the Side Panels - A -
3. Using a Head Board bracket mark the location where the brackets will be fixed too. Do this for all 4 brackets.
4. Ensure the brackets will not protrude past the back edge of the Side Panel - A -
5. Pre-drill all locations on the Side Panels - A- and Head Board - F- where the dome screws are going to be used to attach the head board bracket.
6. Attach the bottom 2 head board brackets to the head board
7. With the assistance of a helper place the head board into the cabinet and attach the lower head board brackets to the Side Panel - A - use only 1 each of the Dome screws on each side panel. This will allow the head board to be pivoted into position to fix the top head board bracket.
8. Gently tilt the head board back towards the back of the wall bed. Once the head board is lined with the back edge of the Side Panel - A - fix a dome head screw into the top head board bracket. ***It is critical that the head board does not protrude past the back edge of the Side Panel - A -***
9. Attach the remaining dome head screws to secure the head board.

Attaching the Head Board



Drawing 2



Drawing 3

Attach Bed Cabinet Securely to Wall

Alert: If the wall is not a wood stud wall, then you will need to use metal stud screws, toggle bolts or concrete expansion bolts as necessary. THESE ARE NOT SUPPLIED. Only fixings suitable for a timber stud are supplied.

Placing the cabinet against wall. Measure diagonally to be sure of square. The wall bed will not operate correctly if cabinet is not square.

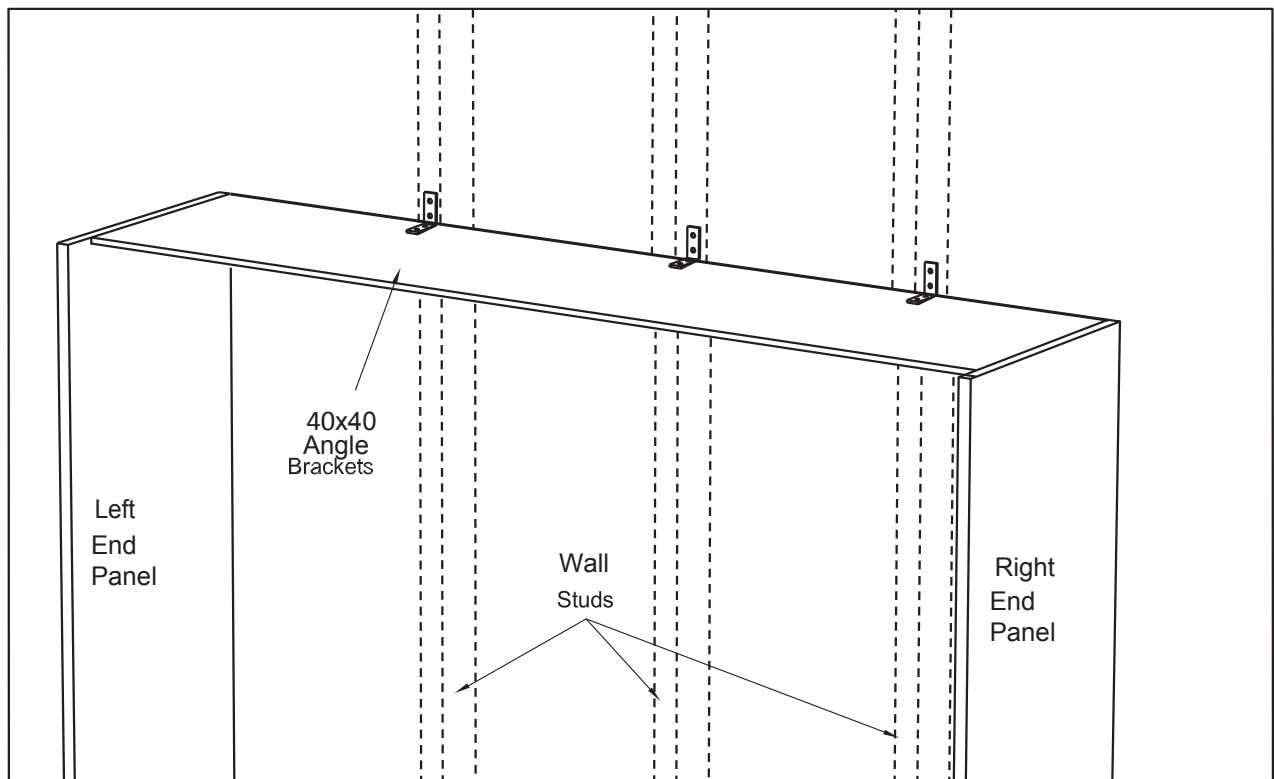
Using a spirit level ensure the cabinet is also level. You may need to use "packers" to achieve the cabinet being level.

Locate 3 studs or other wall frame members at the level of the Top panel. *Refer Drawing 4*

As a minimum the cabinet must be secured to wall studs or other wall structural members using 40mm x 40mm L-Brackets & the 50mm timber stud fixing screws or suitable replacements if not a timber stud.

Once the cabinet is square and level, use one 50mm wood screws in each of three "L" brackets to attach to studs.

Re-check the wall bed cabinet is square and level and then secure "L"-Brackets to the Top panel (C) of the wall bed by using the Dome Head wood screws.



Drawing 4

Alpha Bed Steel Frame Assembly

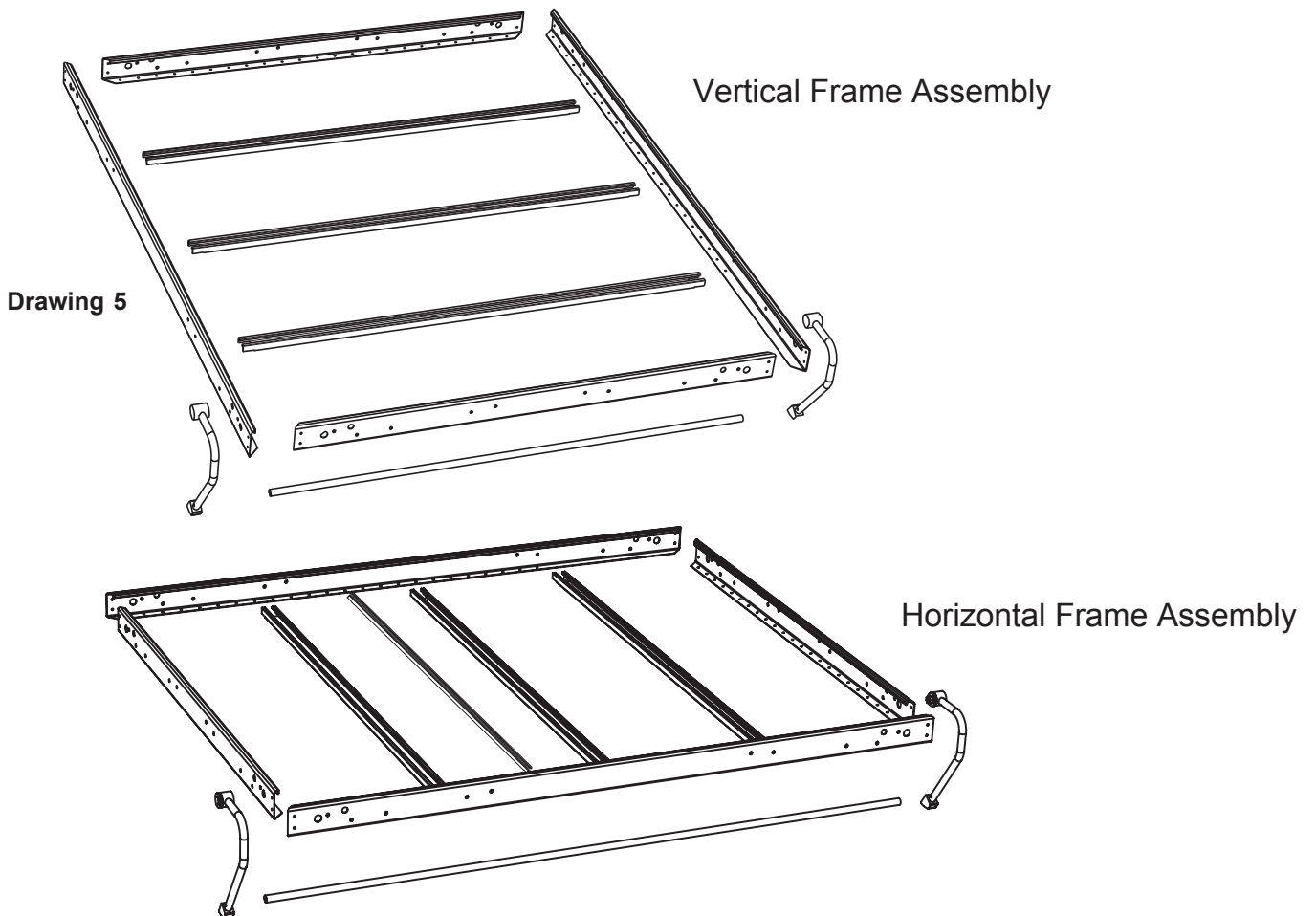
Frame is adaptable as vertical or horizontal bed. A leg extension bar is required for a horizontal bed.

Completely assemble the Steel Bed Frame by joining the 4 side rails together use the small corner brackets and the 3/16" x 1/2" bolts provided. (*Hardware Card # 3*)

Refer to *Drawing 6* to properly place the round black cylinder leg stops at outer right and left bottom holes at the foot of the bed frame.

The stiffener bars are shown in *Drawing 5* for reference only. *These are not attached until the Attach Face / Base step in this manual.*

Three steel stiffeners are provided for all beds (5 for King). These notched stiffeners will be attached to divide the Bed Face / Base length into four equal sections.



Attaching the Bed Face / Base Panels

Note: When fixing the Steel Frame to the Face / Base Panels you must use the Dome Screws supplied in the supplementary hardware bag by WallBeds Australia. **DO NOT USE CARD #7**

Failure to do so will result in damage to the Face / Base Panels.

Step1:

The Face / Base panels are universal to which is the Face or the Base. Carefully check panels for any imperfections on each panel to determine which side you will use as the Face. Place the bed Face / Base Panels down on a non-scratch surface such as a carpet or blanket. Place a small washer or 5c piece between the two door panels at each end to create an equal gap between the door panels. Ensure you remove these once you have secured the steel frame in place.

It is recommended that you pre-drill the holes for all of the steel frame fixing screws. This will reduce the risk of any "bulging effect" of the timber thru the Face/Base panel.

Step2:

Position the Steel Bed Frame on the bed Face / Base panels with the Head Frame section flush with the head end of the bed Face / Base Panels *Drawing 7*. Place the Steel Bed Frame so it is centered on the bed Face / Base Panels; you will have approximately 24mm space from the edge of the bed steel frame to the Face / Base panel edges.

Note: It is very important to have the Bed Steel Frame centered on the bed Face / Base panels. Any error will be noticed in the vertical sight lines when the bed is closed.

Step3:

Once you have checked the measurements and the frame is still square, attach two screws to each side of all four corners. To ensure the Steel Bed Frame remains square, start fixing the frame to the Face / Base panel in each corner first at the head of the frame and then followed by middle on both sides of the steel frame. *Use caution not to damage bed Face / Base panels by putting screws in too far into the recessed areas.* Remove the two washers / spacers then continue to fix in all of the Steel Bed Frame screws.

Step 5:

Three steel stiffeners are provided for all beds. These notched stiffeners should be located and attached to divide the Steel Bed Frame length into four equal sections. *Drawing 7 (Horizontal beds are supplied with an extra timber stiffener The timber stiffener is held in place with 28mm wood screws to the face panels. Use the steel stiffeners as well, one next to the wood stiffener and the other two equally spaced).*

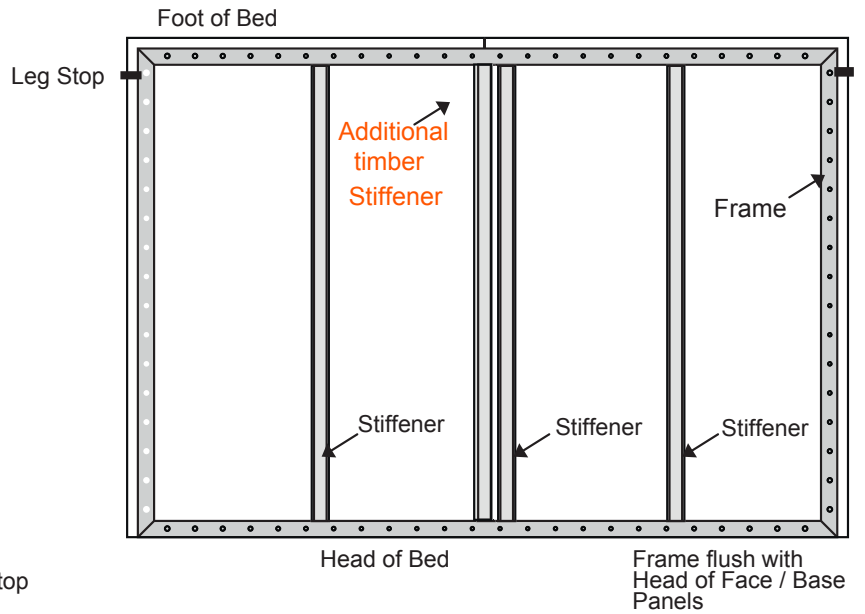
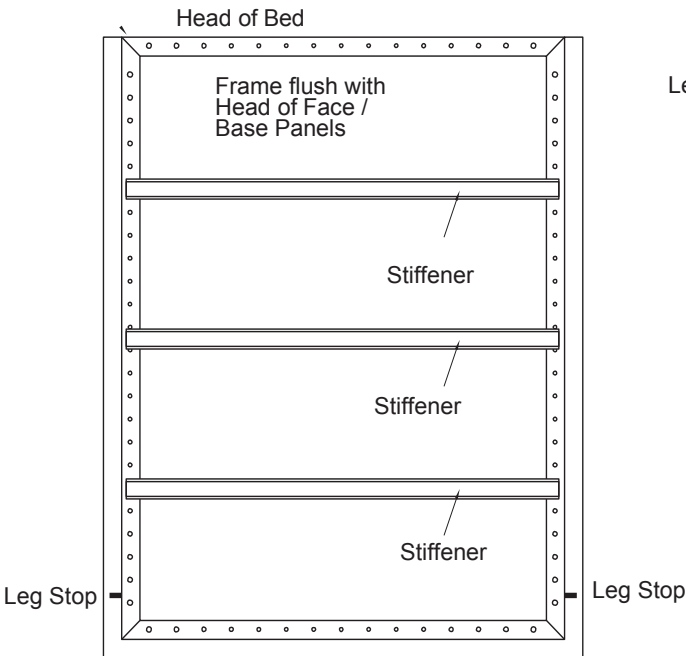
Step 6:

Attach the Nylon Web Strap approximately 457mm from the foot of the bed *Hardware card #5* Use one of the existing screw holes & dome screws that fixes the steel frame to the Face / Base panel.

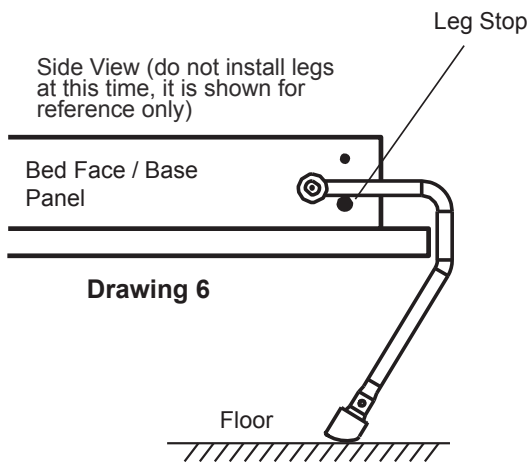
Assemble Steel Bed Frame to Face / Base Panels

Vertical Frame Assembly

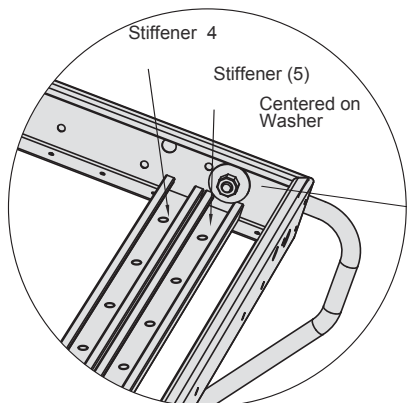
Horizontal Frame Assembly



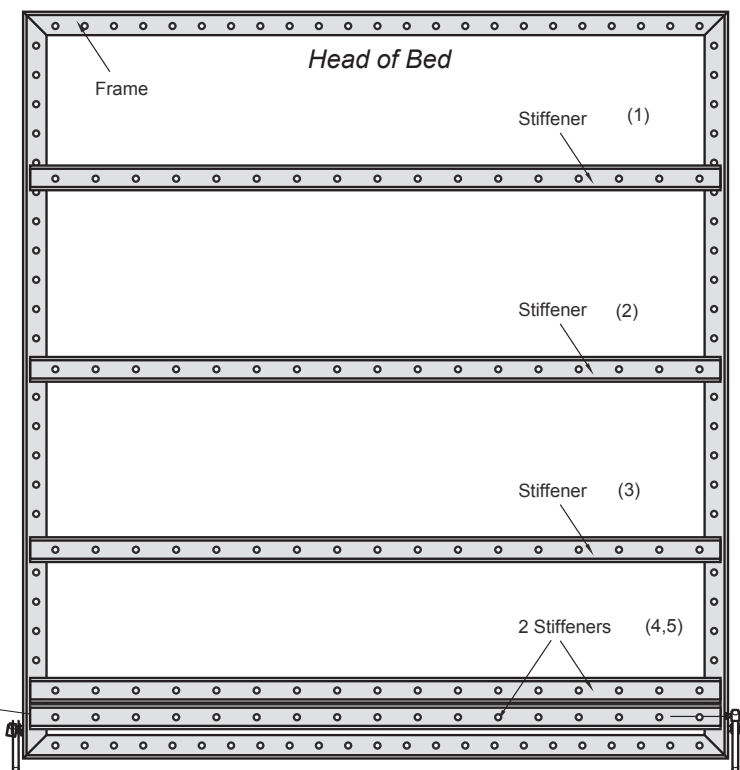
Drawing 7 Foot of Bed



Drawing 6



Vertical **KING** Bed Stiffener Placement Only



Setting the Lift Mechanism

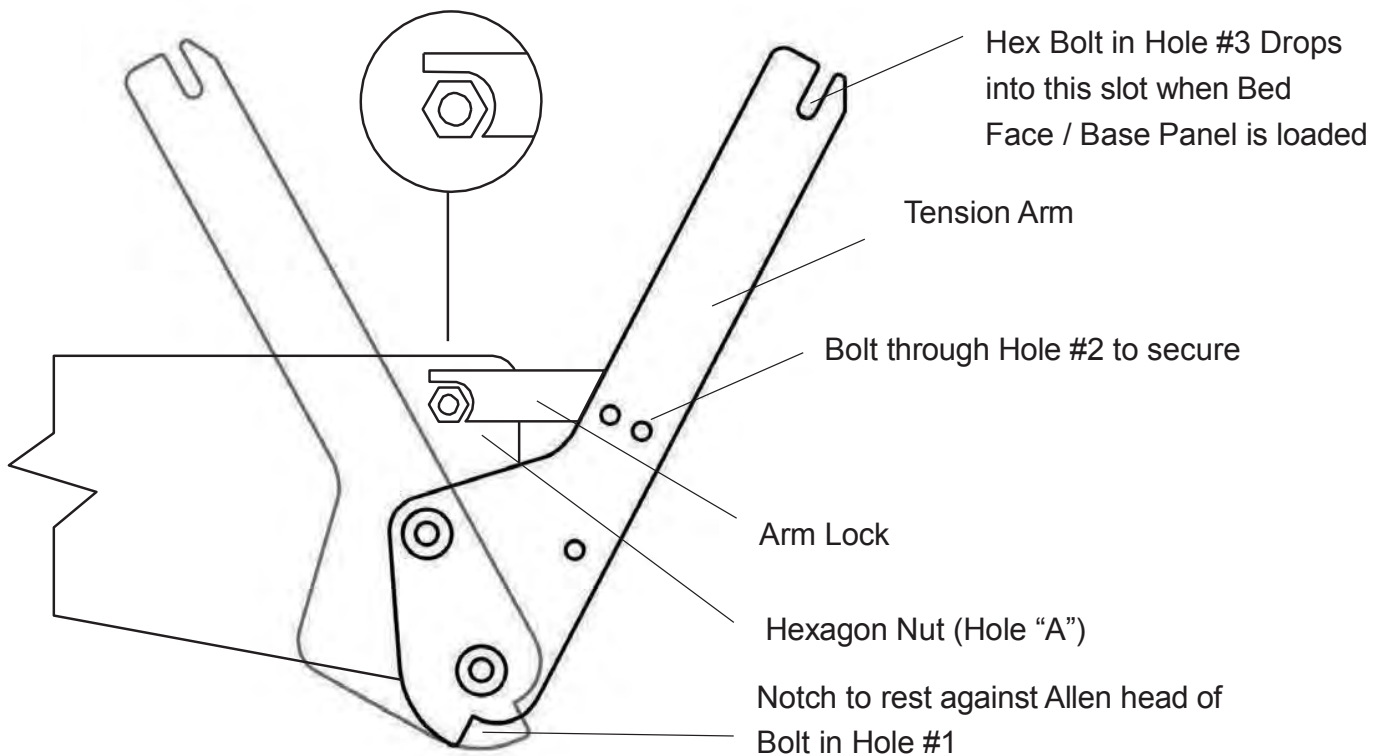
WallBeds Australia Recommends Eye Protection Be Worn When Setting Spring Lift Mechanism

Note: Have a helper assist in the setting of the lift mechanism and loading of the bed Face / Base panel.

Do not reach behind the tension arm when you are doing the setting procedure. Ensure the tube supplied is placed far enough onto the tension arm to prevent either the tube slipping off or breaking.

Holding one foot against the bottom front edge of the side panel and using the tube supplied, lever the tension arm out until you can set the arm lock to the hex nut at the hole A *drawing 8*

This is the hex nut at the top front corner of the mechanism.

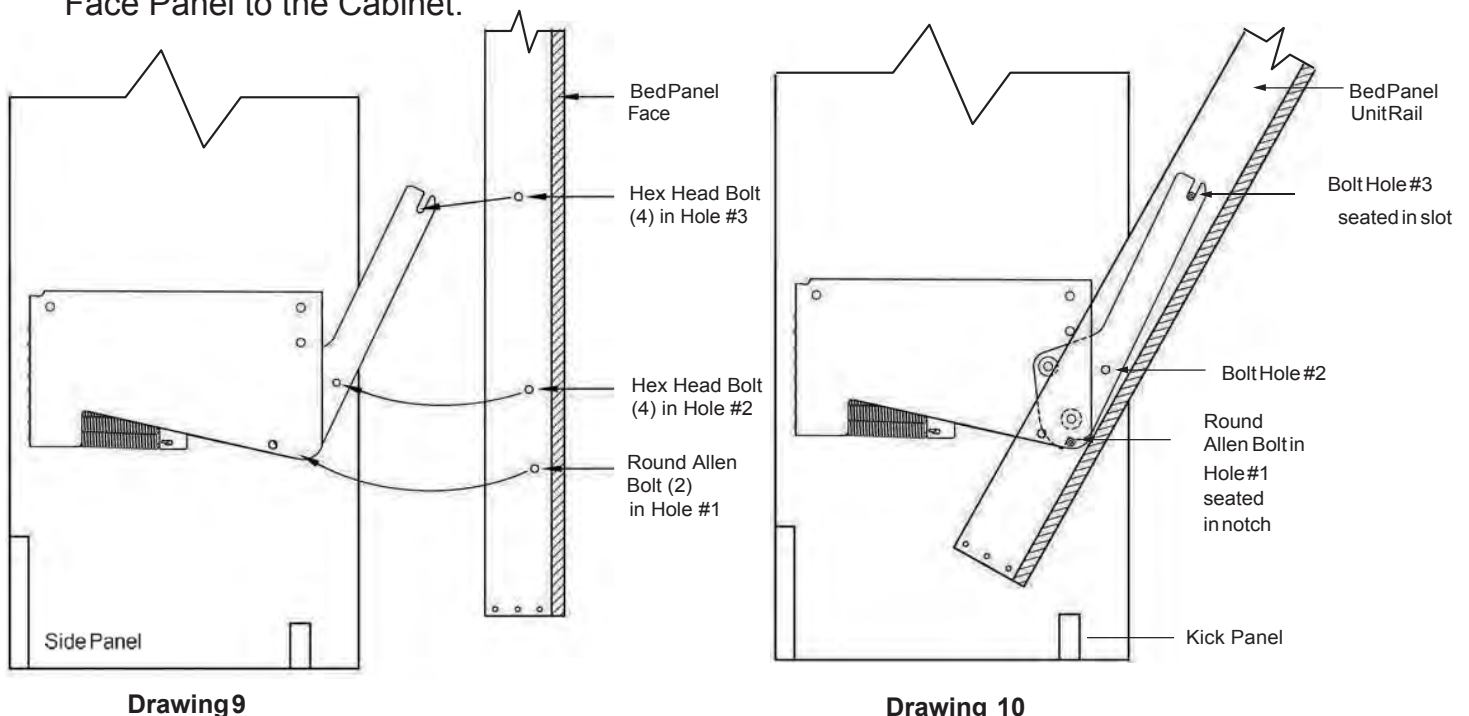


Drawing 8

Install the Bed Base / Face Panel Unit

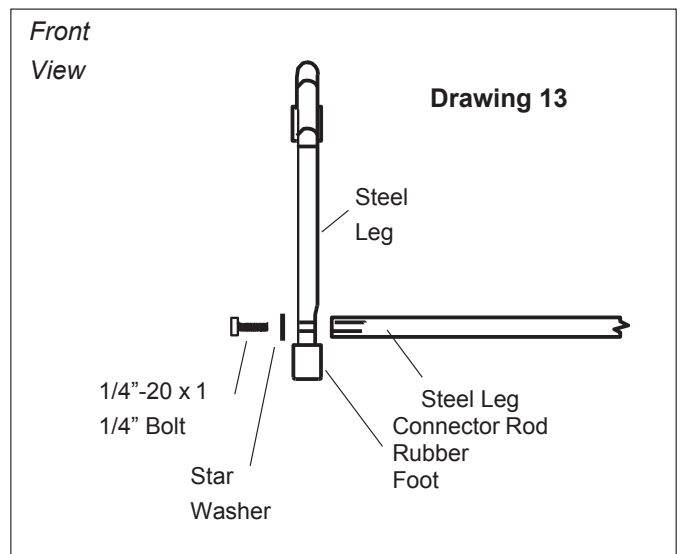
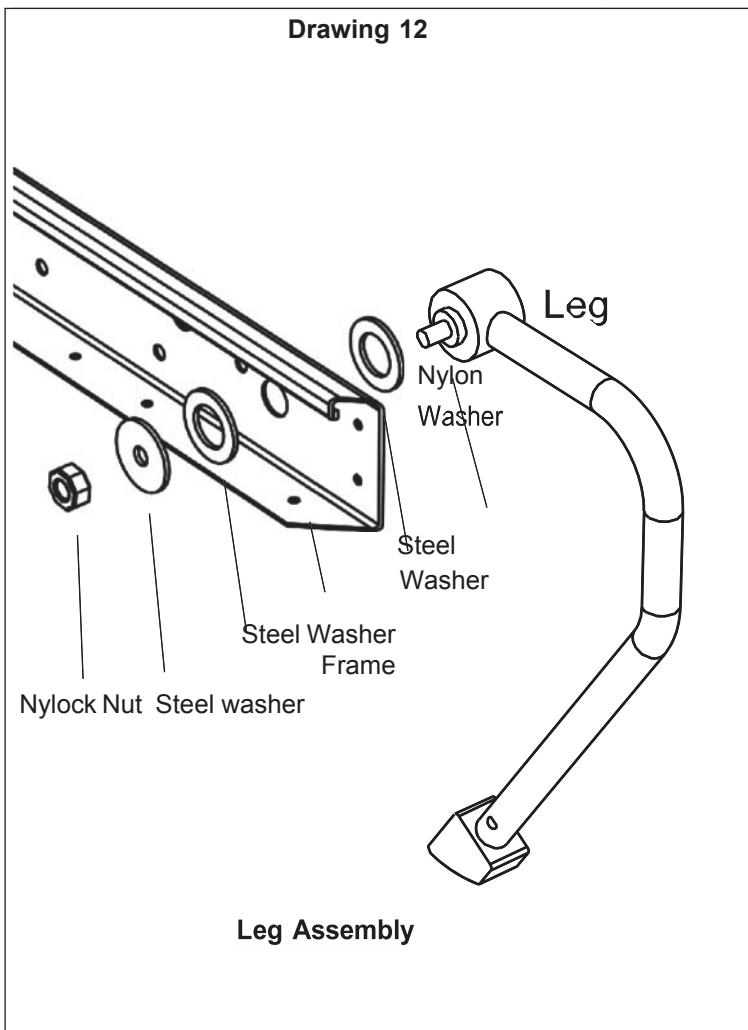
HARDWARE CARD #2 USED FOR THIS STEP

1. On the Steel Frame insert two 5/16" x 3/4" Hex Head Bolts from the outside through Hole #3 *Drawing 9* put 5/16" Nylock nuts on these bolts only until the nut is flush with the end of the bolt. **DO NOT TIGHTEN FULLY UNTIL BASE / FACE IS INSTALLED**
2. On the Steel Frame insert the two Round Allen Head Bolts from the outside of the Frame through Hole #1 *drawing 9* use 5/16" Nylock nuts and securely tighten.
3. Load the Face / Base onto the tension arm by lifting the Face / Base up and with the foot end of the bed facing up towards the ceiling. Place the head end of the Face / Base behind the Kick panel *drawing 10* Lift the Face / Base panel up towards the ceiling until the Hex Head bolts in hole #3 are past the seated slot in the tension arm. Then gently lower the Face / Base panel so the two 5/16" x 3/4" Hex Head Bolts rest in the seated slot on the tension arm on both sides.
4. Tilt the bed face toward you until the Allen Bolts in Hole #1 are completely seated in the bottom notch of the tension bar.
5. Insert the remaining 5/16" x 3/4" Head Bolts in Hole #2, tighten bolts #1 and #2 securely *drawing 10* (you may tilt the Face / Base down to line up the holes) When all bolts are securely tightened, tilt the Face/ Base down to release the arm locks. You will hear a click as they disengage.
6. Hold the Face Panel securely; Do Not let it slam shut. The Face / Base will not stay down until the mattress is loaded in the bed.
7. Leveling of the bed cabinet is essential. Check the level both side to side and front to back. Proper leveling will facilitate proper closure and exact sight lines of the fit of the Face Panel to the Cabinet.



Install Handles, Legs, Mechanism Covers, & Mattress

1. Install the door handles
2. Install legs with the nylon washers on the inside and outside of the steel rails. Tighten the nylon nut to have a small amount of friction when leg assembly is rotated from the up to down position. *drawing 12*
3. Install leg connector rod between legs and secure with 1/4" x 1 1/4" Hex head bolts and star washers *drawing 14*. Be sure they are securely tightened so not to become loose.
4. Attach the powder coated spring mechanism covers in place - secure these with the 1/4" black wood screws *Hardware card #2* through the hole in each of the cover plates. These screws will fix into the timber side panels of the bed. *Drawing 14 & 15*
5. Install mattress and secure with previously installed Velcro straps.



Drawing 14



Drawing 15

Follow up to Initial Assembly

Level or square problems with the Face/ Base fitting into Cabinet.
The Face / Base panel is hitting the side panel on one of the top corners

**Nudge base of Cabinet at the floor level - or use packers under the End Panels.*

The bed is too heavy to operate or Face / Base panel slams shut or is difficult to open.

You may decide to use one more or less spring(s) on the Lift Mechanism.

** To achieve this will require you to remove the Face/ Base panel for ease of access to the springs.*

The springs squeak when lowering the Face / Base.

** Remove spring cover plate and lubricate the springs with a small amount of WD40 or similar.*

The legs do not open at the same time or feel loose when opening

**Tighten the leg connector rod 1/4" bolt*

